



ZB-3010

ZBA Handheld CCD Scanner

ZB-3010



FEATURES

- * **Light, rugged design**
- Durable construction ensures long service life
- * **Advanced scanning performance**
- 2,088 pixels CCD with newly designed scan engine
- * **Read Status LED indicator and programmable beeper**
- Allows the user to recognize scan status at a glance
- * **Built-in decoder**
- Allows automatic recognition and decoding of the most popular barcodes
- * **Multi-interface communication**
- RS-232C,USB, wand and keyboard emulation interface

Applications

- **Point of sale**
- **Stock control**
- **Logistics tracking**
- **Document tracking**
- **Shipping/receiving**



ZB-3010 handheld CCD contact scanner, arriving with a rugged finish, is a simple-to-use barcode scanner and a perfect entry-level product for first-time barcode users who search for competitiveness and satisfaction.

Our built-in decoding capabilities can recognize most of prevailing 1D barcodes,ZB-3010 offers fast,reliable and sensitive scanning performance. That is one-button operation with LED and beeping indicators, even fresh users of barcodes scanning can enjoy the fun of scanning when completing their works.

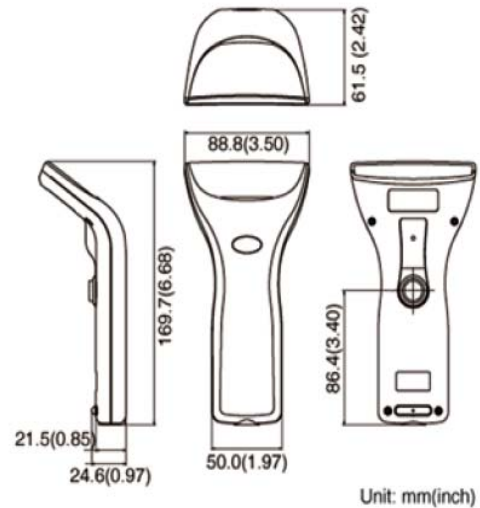
And yet, its fascinating price is offered to further strengthen the competitiveness of business. ZB-3010 is making it easier for owners of small-scale retail stores to benefit from the power of barcode technology.



Specification

OPERATIONAL	
Light Source	630 nm visible LED
Optical System	2,088 pixels CCD
Depth of Field	0 – 20 mm
Width of Field	80 mm
Scan Rate	100 scans per second
Minimum Bar Width	0.125 mm (5 mil) (0.1mm actually)(Code 39, PCS=90%, contact)
Print Contrast	30% @ UPC/EAN 100%
Indicators (LED)	Red LED
Beeper Operation	Programmable tone & beep time
System Interfaces	Keyboard, RS-232C, USB 1.1, wand
PHYSICAL	
Height	171.3 mm
Depth	63.0 mm
Width	91.1 mm
Weight	100 g (cable excluded)
Cable	Standard 2 m straight
POWER	
Input Voltage	5 VDC ±10%
Operating Current	70 mA typical
REGULATORY	
EMC	CE EN55022B; FCC Part 15 Class B, VCCI, BSMI
ENVIRONMENTAL	
Operating Temperature	0°C – 50°C (32°F – 122°F)
Storage Temperature	-10°C – 70°C (14°F – 158°F)
Humidity	5% – 95% RH (non-condensing)
Light Levels	Max. 3,000 Lux (fluorescence)
Shock	Designed to withstand 1 m drops
DECODING CAPABILITY	
1D Barcodes	UPC/EAN/JAN, UPC/EAN with supplementary, JAN 8 & JAN 13, ISBN/ISSN, Code 39, Code 39 with full ASCII, trioptic Code 39, Codabar (NM7), Code 128, Code 128 with full ASCII, Code 93, Interleaved 2 of 5 (ITF), Addendum 2 of 5, IATA Code, MSI/Plessey, China Postal Code, Code 32 Japanese Bookland EAN, Industrial 2 of 5, Standard 2 of 5, Discrete 2 of 5, Matrix 2 of 5, Code 11
Options	

Dimension



ZBA, Inc.
 94 Old Camplain Road
 Hillsborough, New Jersey 08844
 Telephone (908) 359-2070
 Fax (908) 595-0909
 Web site: <http://www.zbausa.com>
 Email Sales: sales@zbausa.com
 Email Customer Service: customerservice@zbausa.com
 Email Technical Support: techsupport@zbausa.com

ZBA West
 5020 Campus Drive
 Newport Beach, California 92660
 Telephone (866) 468-6922
 Fax (908)595-0909
 Web site: <http://www.zbausa.com>
 Email: west@zbausa.com

