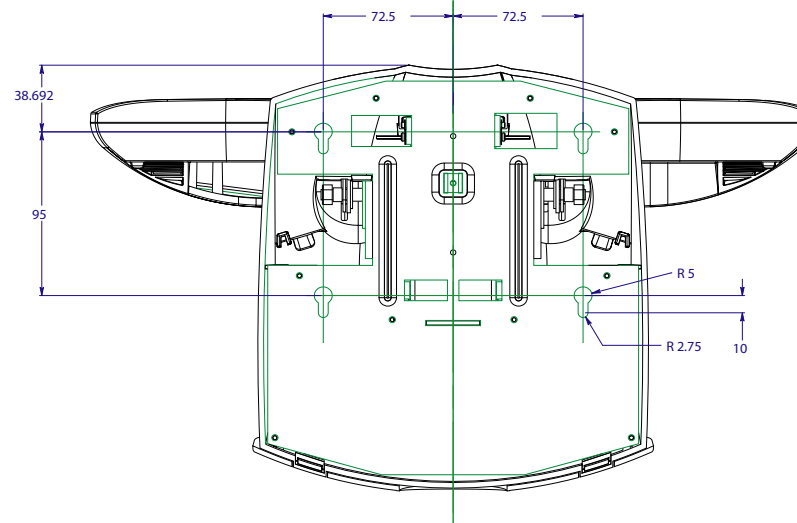
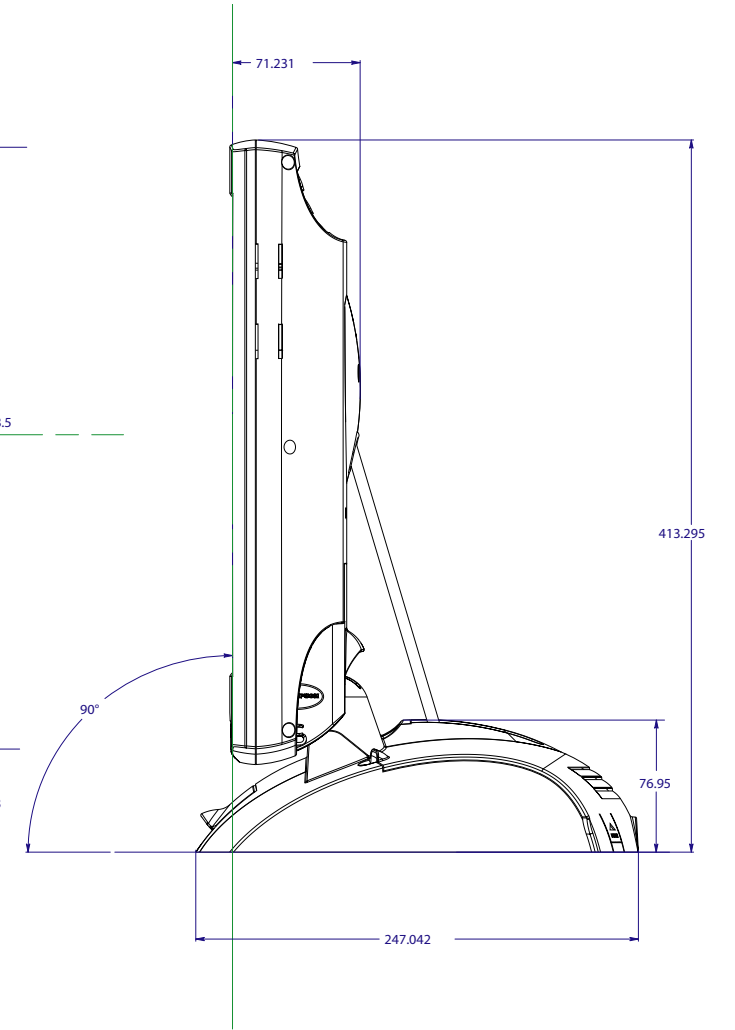
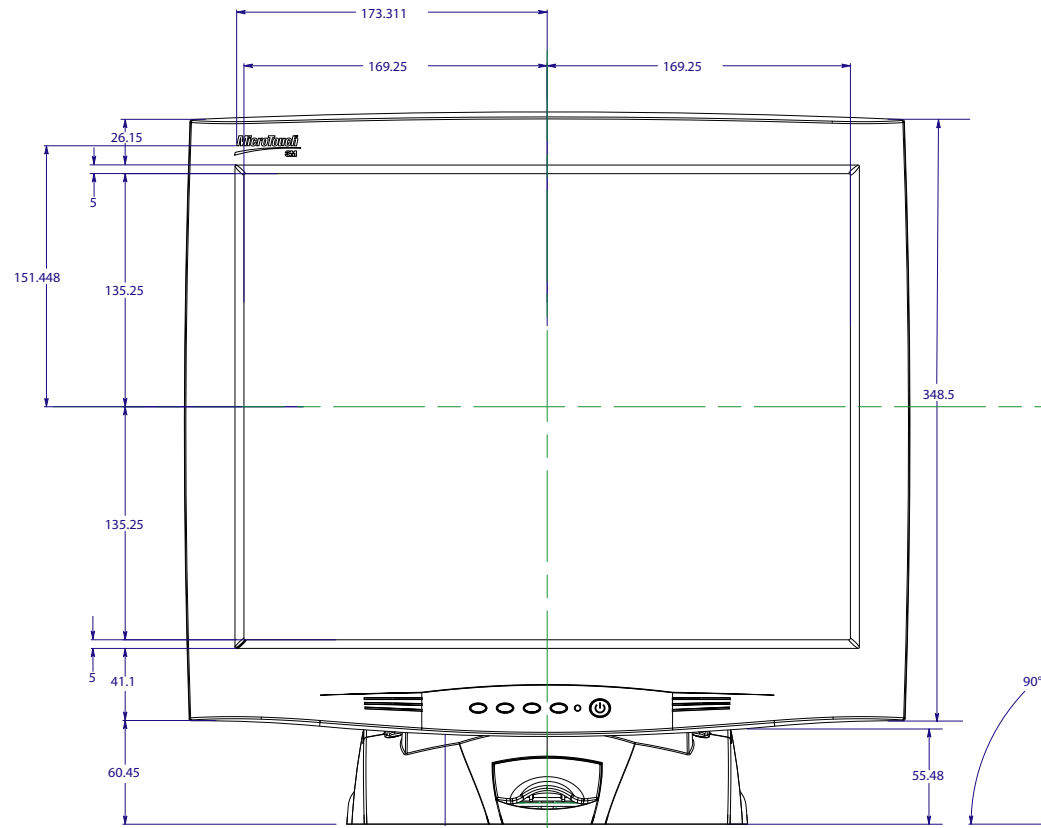
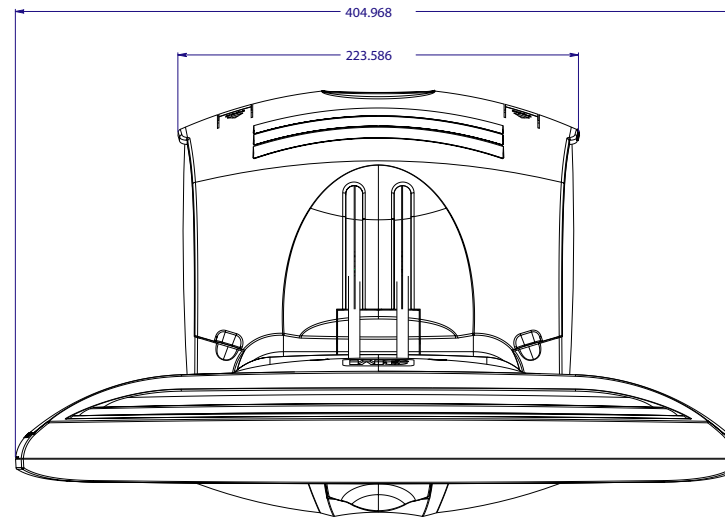
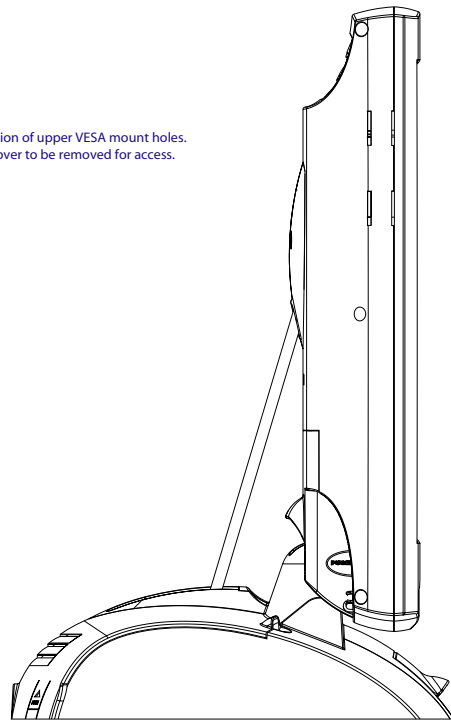


Location of upper VESA mount holes.
3M cover to be removed for access.



3M TOUCH SYSTEMS
METHUEN, MA
USA

© COPYRIGHT 2002
THIS DOCUMENT IS COPYRIGHTED PROPERTY OF THE
3M COMPANY AND MAY NOT BE REPRODUCED
WITHOUT 3M WRITTEN PERMISSION OR USED OR
DISCLOSED FOR OTHER THAN 3M AUTHORIZED
PURPOSES.