

POS



PS8852

Intel® ULV Celeron® M
Low Power CPU 15"
POS Terminal

Features and Benefits:

- Intel® ULV Celeron® M 1GHz lower-power platform
- 15" LCD display with touch screen
- Durable and low-profile design
- Silent POS terminal (acoustic noise < 35dB)
- Easy Maintain Design for HDD, exchangeable MSR and Integrated Jump Setting
- Optional Wireless (802-11 b/g WLAN capability)
- Optional 2.5" SATA (RAIDm1: mirror data protection in one HDD function)
- Optional Pole Display of three types fabricate for one LCD and two VFDs setup
- Optional Card Reader and I-Button for user identification and security control

**WEPOS
Ready**

 **PROTECH SYSTEMS**
It's the right choice

No. 24, Lane 365, Yang Guang St., Nei Hu District, Taipei 114, Taiwan, R.O.C.

Tel: +886-2-8751-1111

Fax: +886-2-8751-1199

Email: sales@protech.com.tw

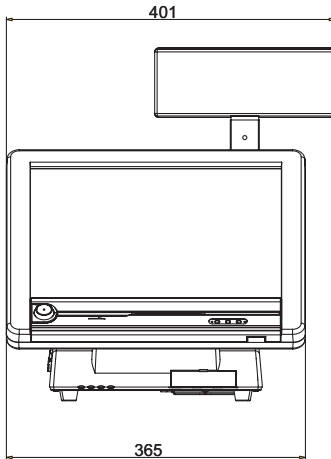
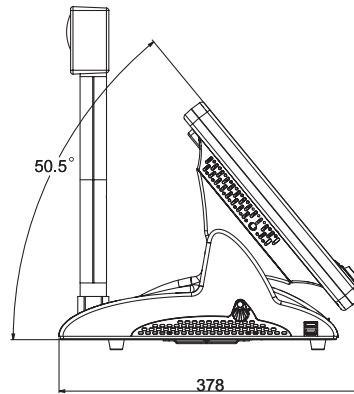
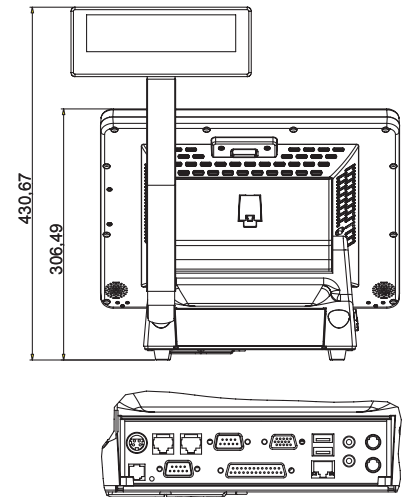
<http://www.protech.com.tw>



ISO CERTIFIED
9001 14001

PS8852

Intel® ULV Celeron® M Low Power CPU 15" POS Terminal

Front View

Side View

Rear View


Unit:mm

Specification

System	
CPU	Intel® ULV Celeron® M 1GHz (BGA)
Memory Support	1 x DDR SO-DIMM Slot, 256MB DDR SO-DIMM (up to 1GB)
Core Logic	Intel® 852GM + ICH4
Network	10/100Base-T Fast Ethernet
Power Supply	External 120W power adaptor
System Weight	8.7kg (19.2lb)
Dimension (W×H×D)	365 x 306 x 378 mm (14.4" x 12" x 14.9")
O.S. Support	Windows 98 / 2000 / XP / XPE, Linux, WEPOS

Storage

HDD	1 x 2.5" HDD (standard 40GB)
CF	1 x optional Compact Flash slot for CF type I/II storages (You can install HDD or CF, not for both)

I/O Ports

USB	4 x USB 2.0 ports (2 in Rear ; 2 in Side)
Serial Ports	2 x DB-9 (COM1&2), 2 x RJ45 (COM3&4), +5V/12V selectable
Parallel	1 x Parallel port (SPP / EPP / ECP)
PS/2	2 x PS/2 ports
LAN	1 x RJ-45 interface
Audio	1 x Line-out, 1 x MIC-in audio jack
VGA	1 x DB-15 VGA Interface
Cash Drawer	1 x RJ-11 Interface

Display

LCD	15" TFT LCD
Max. Resolution	1024 x 768
Viewing Angle	0~60 degree
Brightness	250 cd/m ²
Touch Screen	5-wire Analog resistive
Display Tilt Angle	51 degree (0-51 degree without pole display)
Protection	Water Proof Front Panel (Without MSR)

Environment

EMC & Safety	CE, FCC, cUL, CB
Operating Temp.	0°~40°C
Storage Temp.	-20°~60°C
Humidity	20%~90%

Ordering Information

PS8852	15" POS terminal with Intel ULV Celeron-M 1GHz, 256MB DDR memory, 40GB HDD
LCD Customer Display	180mm height LCD Pole Display 120mm height LCD Pole Display
VFD customer Display (Integrated or Stand alone type)	Vacuum Fluorescent Displays, 20 columns and 2 lines, each column is 5 x 7 dots
MSR1	JIS-I, ISO Track 1+2+3
MSR2	JIS-II, ISO Track 1+2
i-Button	Read only, output through PS/2 KB interface
CF Card Adaptor	CF socket for Type I/II storages (either/or option with HDD)
Color	Black or Beige
OS	Win98 / 2000 / XP / XPE / WEPOS / Linux

All of trademarks and brand names are the property of their owners. Trademark "Protech" is the property of Protech Systems Co., Ltd. All information contained in this document is subject to change without any prior notice. This catalog is copyrighted in DEC. 2006